

Specifications:

1. Tolerance: $\pm 5\%$ for all dimensions unless otherwise specified.
2. Material: Mild steel.
3. Finish: Hot dip galvanized ASTM A153.

Eye Bolt Ac. Galv. 5 / 8X8 "4" H: 1 Nut

制图
drawing

HAI YUE HE

审核
audit

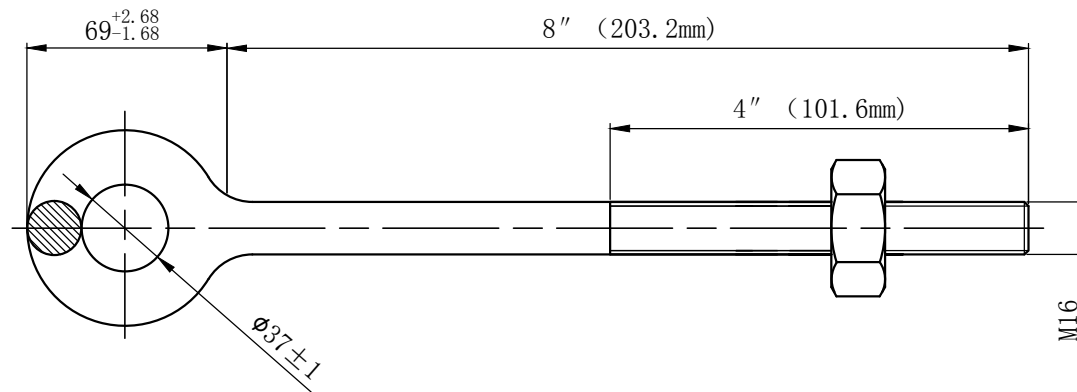
JACK WU

批准
approval

XUE DONG JI



TTF POWER TECHNOLOGY CO., LTD



Specifications:

1. Tolerance: $\pm 5\%$ for all dimensions unless otherwise specified.
2. Material: Steel SAE J429 grade 2 or 5.
3. Finish: Hot dip galvanized ASTM A153.

Eye Bolt Ac. Galv. 5 / 8X8 "4" H: 1 Nut

制图
drawing

HAI YUE HE

审核
audit

JACK WU

批准
approval

XUE DONG JI



TTF POWER TECHNOLOGY CO., LTD