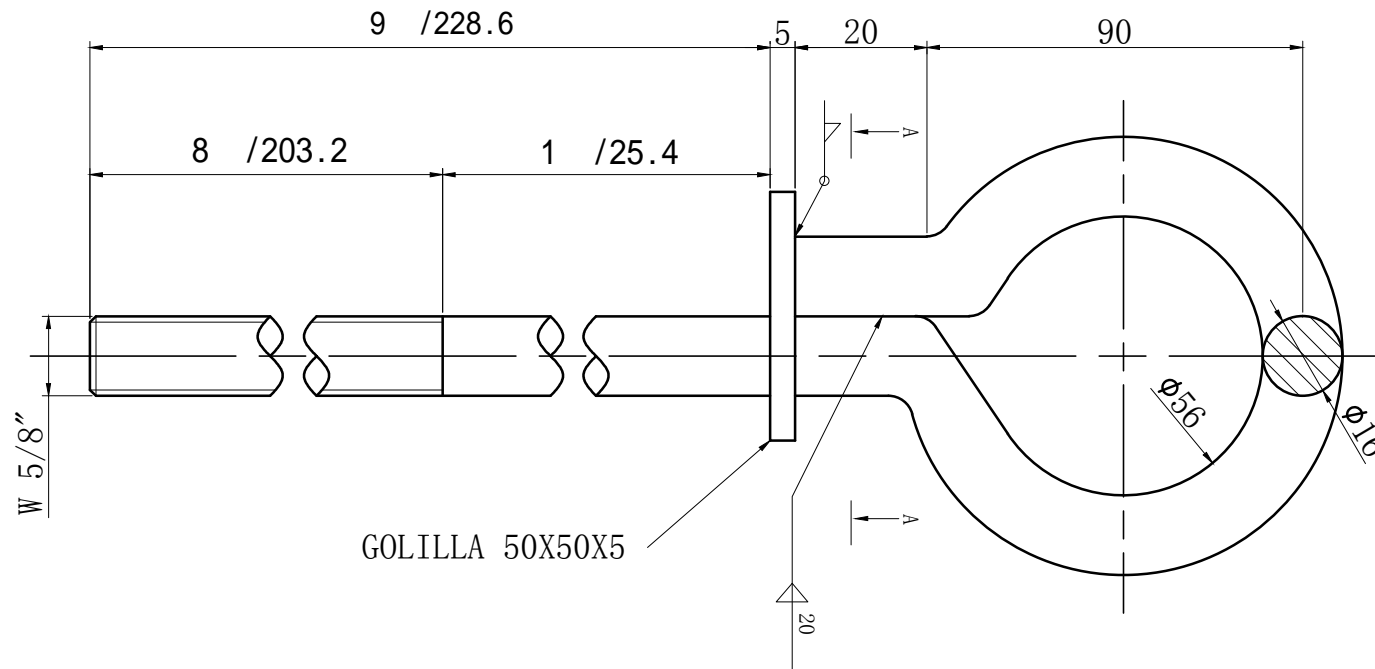
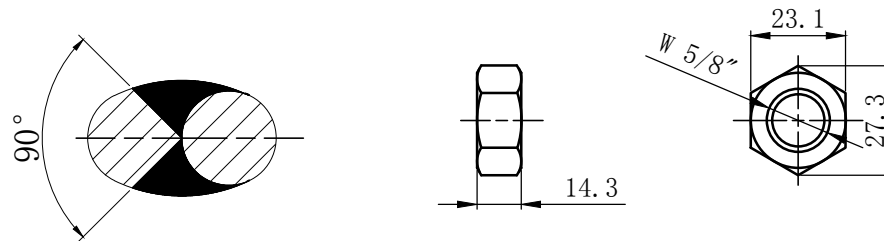


1704060-A (73301340)



SECCION A-A



Specifications:

1. Tolerance: $\pm 5\%$ for all dimensions unless otherwise specified.
2. Material: Mild steel.
3. Finish: Hot dip galvanized ASTM A153.

73301340 Perno ojo 5/8x9 8H 1 Tuerca

制图
drawing

赵俭芳

审核
audit

批准
approval



TTF POWER TECHNOLOG CO., LTD