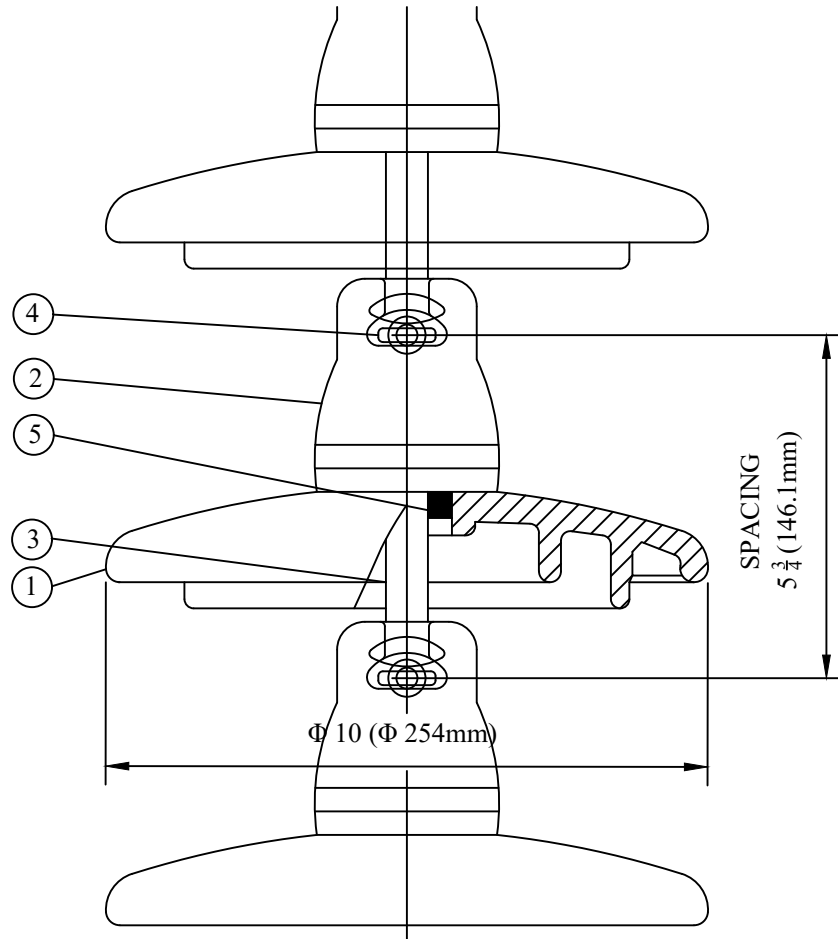


CATALOG NUMBER : 07H8H5W



DIMENSIONS

- DIAMETER OF SHELL 10"
- SPACING 5-3/4"
- CREEPAGE DISTANCE 12-5/8"
- STANDARD COUPLING (ANSI C29.2B) J
- APPROX. NET WEIGHT 8.6 LBS

ELECTRICAL PERFORMANCE

- FLASHOVER VOLTAGE IND. FREQ.
 - DRY 80 KV
 - WET 50 KV
- CRITICAL IMPULSE FLASHOVER VOLTAGE
 - POSITIVE 125 KV
 - NEGATIVE 130 KV
- PUNCTURE VOLTAGE IN OIL 130 KV
- R.I.V. TEST VOLTAGE rms TO GROUND 10 KV
- MAXIMUM R.I.V. AT 1000KHZ 50 μV

MECHANICAL PERFORMANCE

- COMBINED MECHANICAL AND ELECTRICAL STRENGTH 25,000 lbf
- MECHANICAL IMPACT STRENGTH 400 in-lbf
- TENSION PROOF 12,500 lbf

TEST

- IN ACCORDANCE WITH ANSI C29.2B

COMPONENT PARTS

- 1.- DIELECTRIC SHELL: TOUGHENED GLASS G-120 (IEC 60672)
 - 2.- CAP: MALLEABLE CAST IRON / EN1562
OR LOW TEMPERATURE SPHEROIDAL GRAPHITE CAST IRON / EN 1563 HOT DIP GALVANIZED.
 - 3.- PIN: HOT DIP GALVANIZED FORGED STEEL
 - 4.- SPLIT - PIN: AUSTENITIC STAINLESS STEEL AISI-304
 - 5.- CEMENT: ALUMINIOUS CEMENT (EN 14647)
- GALVANIZING AND MARKING IN ACCORDANCE WITH ANSI C29.2B

DRN BY:	DATA
Ella	12/12/16
<small>CONFIDENTIAL THIS DRAWING AND ITS CONTENTS PROPERTY OF TIANJIN TUOFA ELECTRIC POWER TECHNOLOGY CO.,LTD. NO PUBLICATION, DISTRIBUTION OR COPIES MAY BE MADE WITHOUT THE WRITTEN CONSENT OF TIANJIN TUOFA ELECTRIC POWER TECHNOLOGY CO.,LTD. TIANJIN TUOFA ELECTRIC POWER TECHNOLOGY CO.,LTD UNPUBLISHED ALL RIGHTS RESERVED UNDER THE COPYRIGHT LAWS.</small>	

GLASS BELL SUSPENSION INSULATOR

TTF POWER TECHNOLOGY CO.