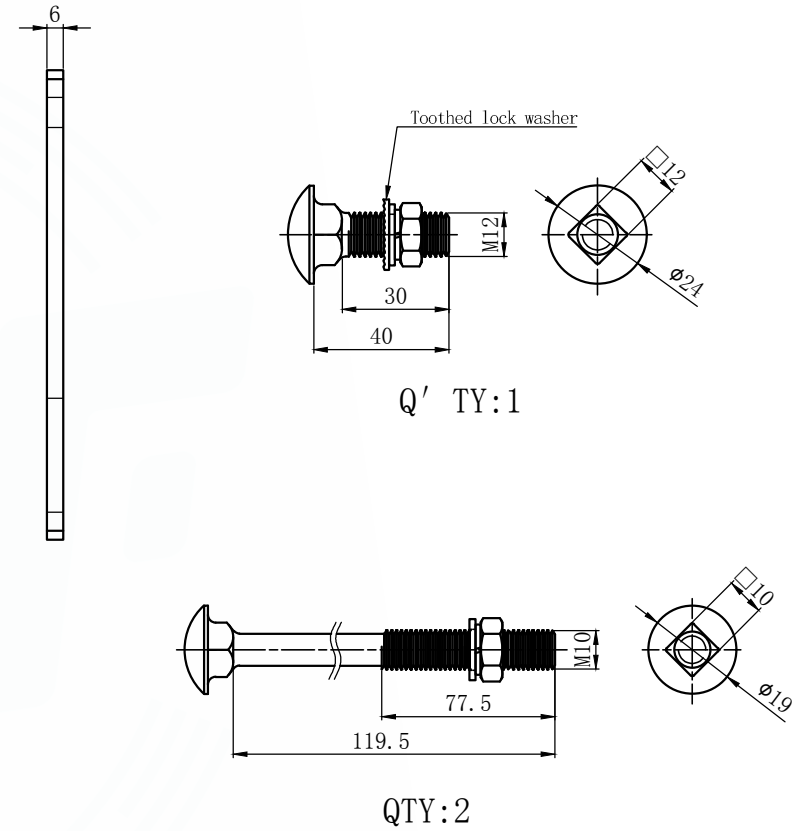
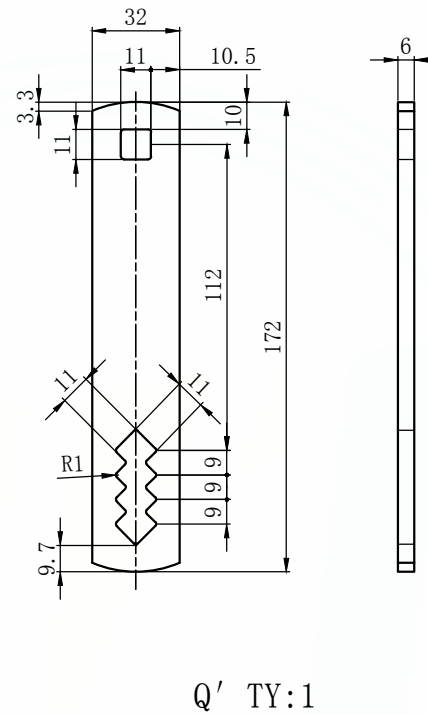
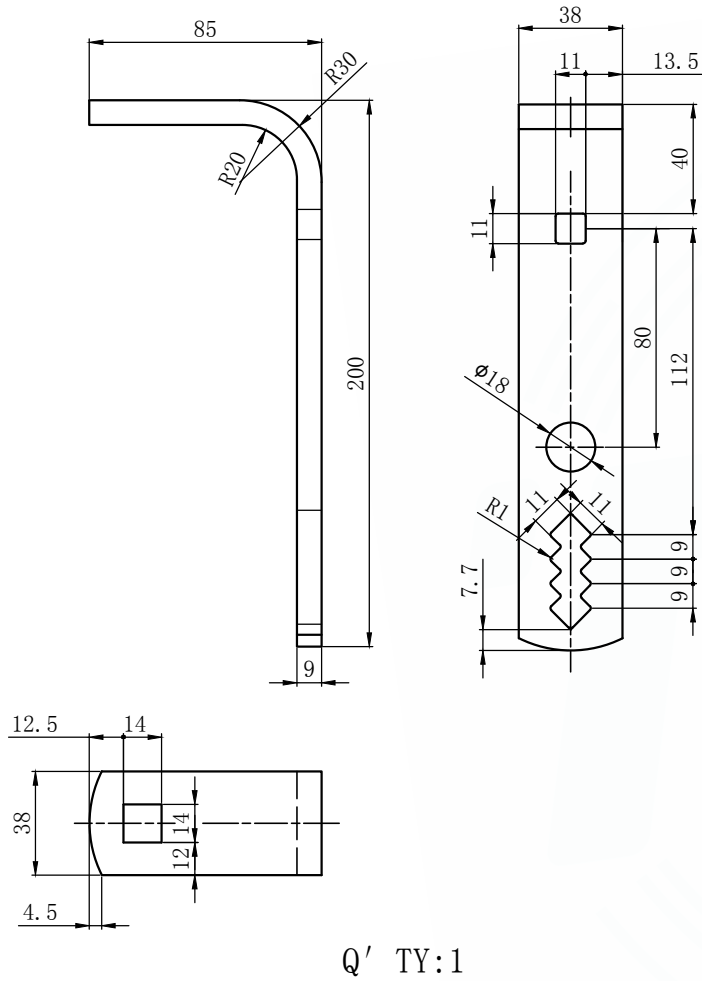


Support Base

Back Plate



Specifications:

1. All dimensions are in mm.
2. Material: Mild steel Q235B.
3. Tolerance: $\pm 5\%$ for all dimensions unless otherwise specified.
4. Finish: Hot dip galvanized to BS729.

Crossarm Mounting Bracket

制图 drawing	HAI YUE HE	审核 audit	JACK WU	批准 approval	XUE DONG JI
---------------	------------	-------------	---------	----------------	-------------



TTF POWER TECHNOLOGY CO., LTD